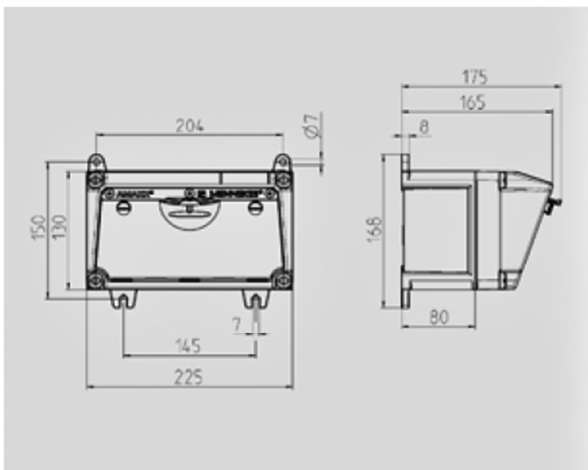


**AMAXX® combination unit - Part no. 910393**


- Wired to Terminals
- enclosure and insert made of AMAPLAST®

Protection type IP 44  
 Fitted with 2 CEE 16 A, 3 p, 4 h, 110-130 V  
 Pre-fuse max. 16 A  
 InA 16 A  
 RDF 1  
 Enclosure size 130 x 225 mm (H x W)


**Drawing 1 MB 531**

Depth dimensions at various fittings.

Sockets	Degrees	Depth
SCHUKO®16A, 230 V	IP 44	175 mm
	IP 67	194 mm
CEE 16A, 3p, 230V	IP 44	204 mm
	IP 67	205 mm
CEE 16A, 5p, 400V	IP 44	209 mm
	IP 67	213 mm
CEE 32A, 5p, 400V	IP 44	221 mm
	IP 67	227 mm
CEE 63A, 5p, 400V	IP 44	248 mm
	IP 67	248 mm

Cable entries: closed for cut out. 2 x M 25 each on top and bottom,  
 2 x M 20 each on top and bottom for cut out.